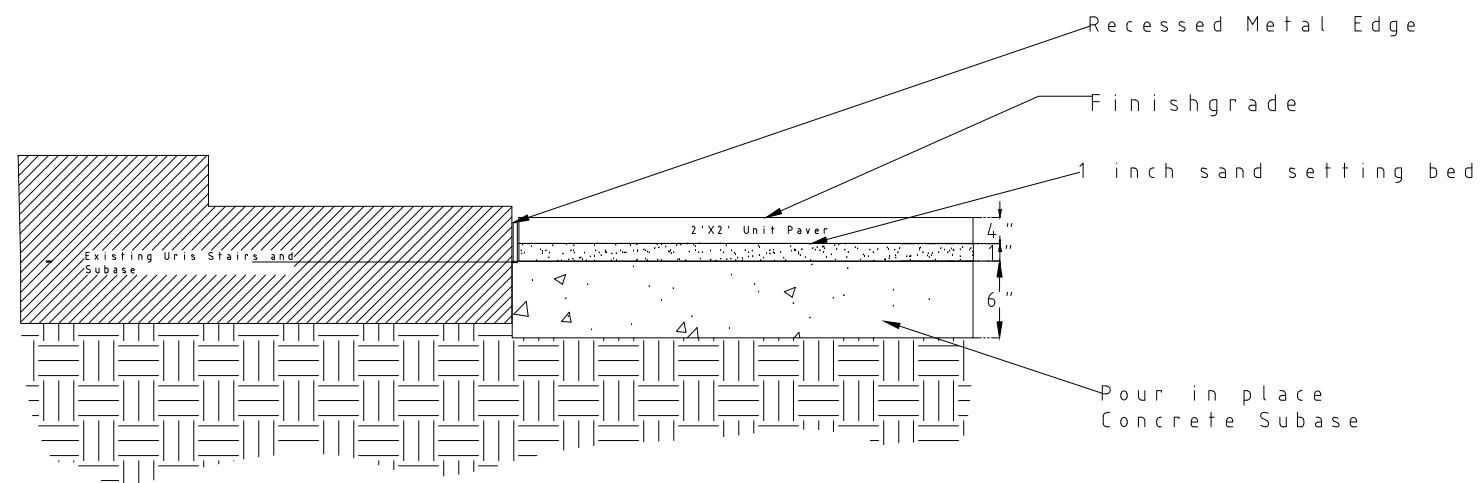
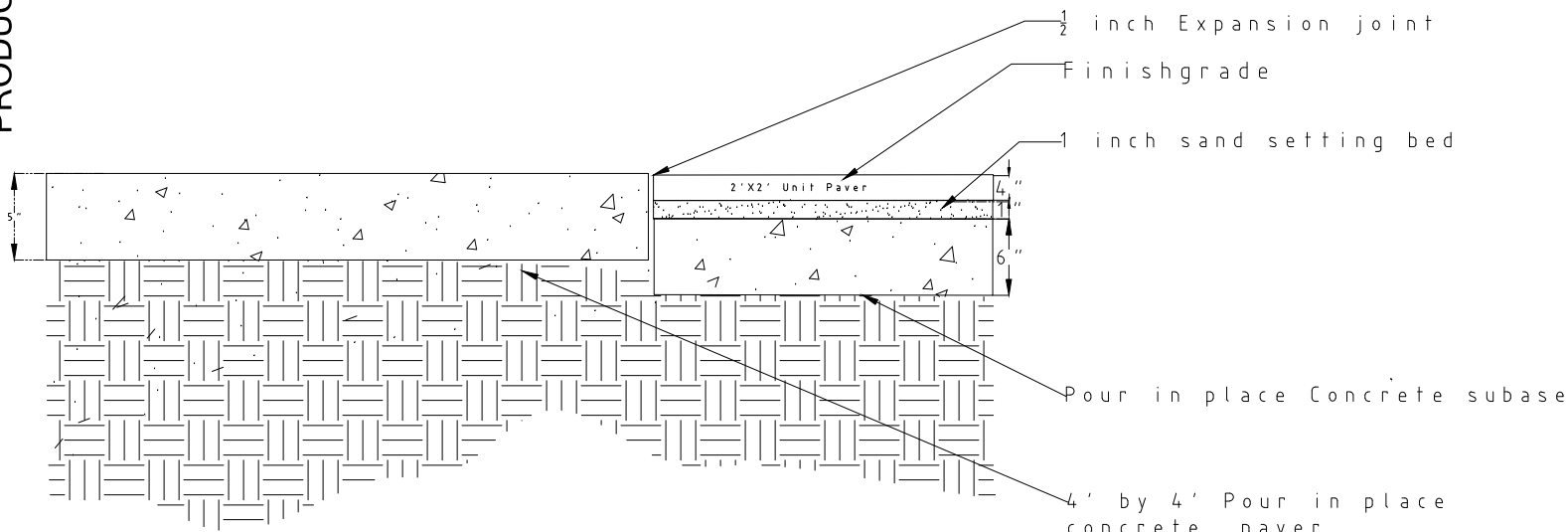


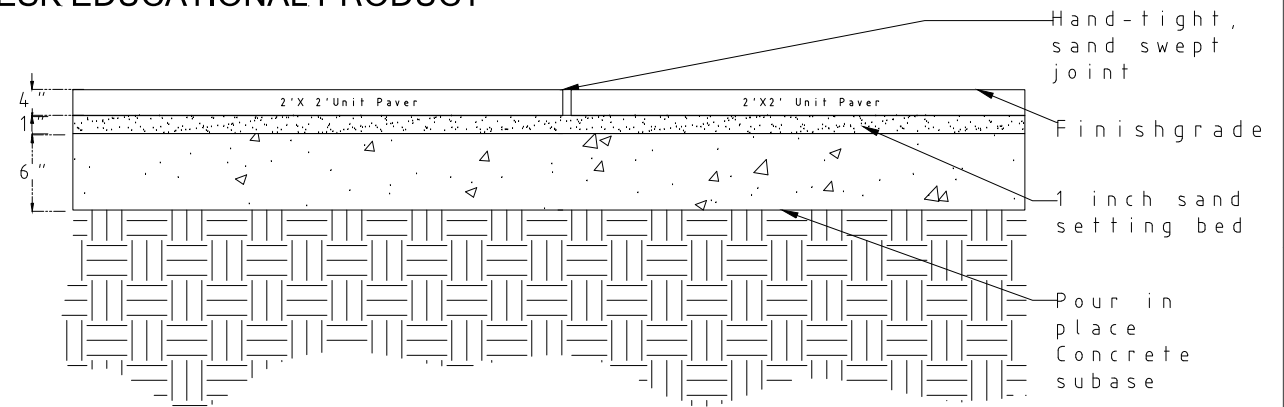
1 Unit Paver meets Olin Entrance  
Scale: 1" = 1'



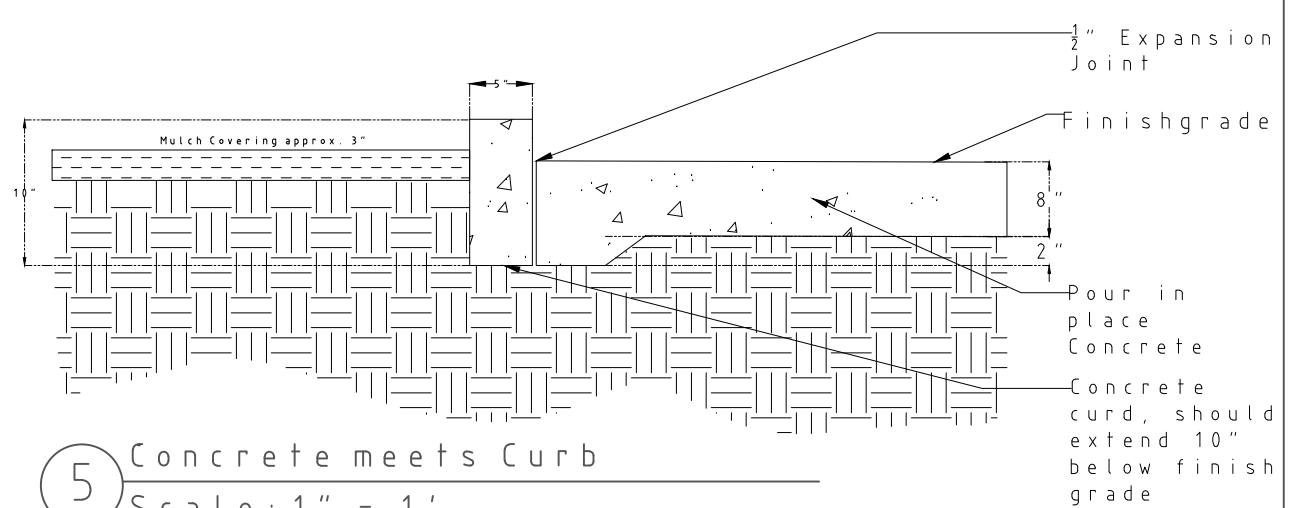
2 Unit Paver meets Uris Entrance  
Scale: 1" = 1'



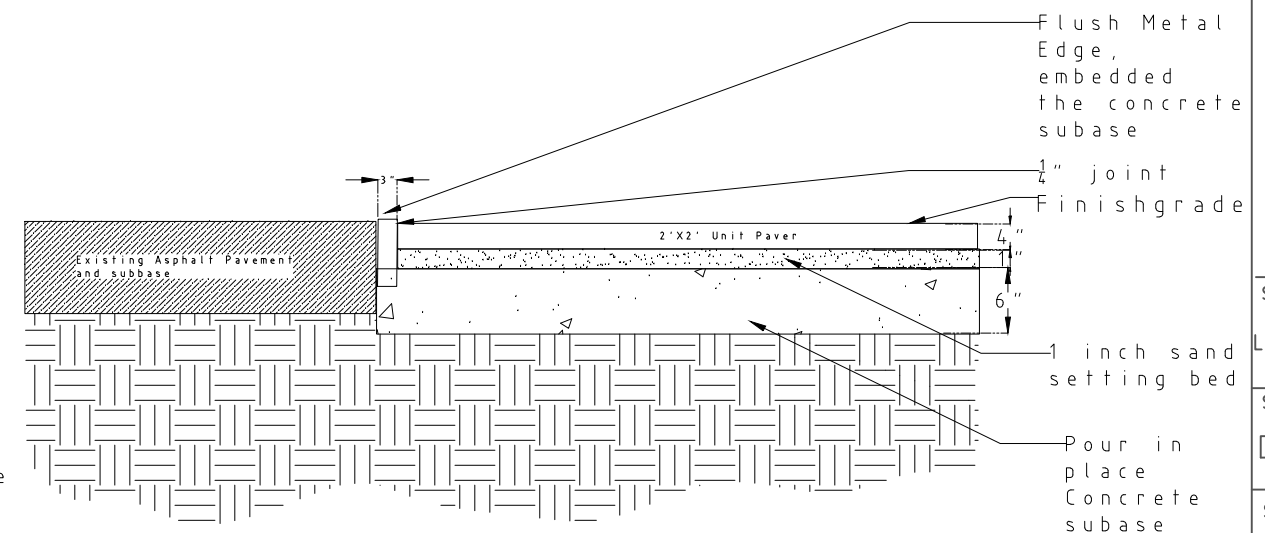
3 Unit Paver meets Concrete Slab  
Scale: 1" = 1'



4 Unit Paver meets Unit Paver  
Scale: 1" = 1'



5 Concrete meets Curb  
Scale: 1" = 1'



6 Unit Paver meets Asphalt  
Scale:

Madi  
Gawith  
#2860993

Library Plaza  
LA6180  
Cornell University

Scale	Look to Drawings
Sheet Title	Details
Sheet No.	L 7.1